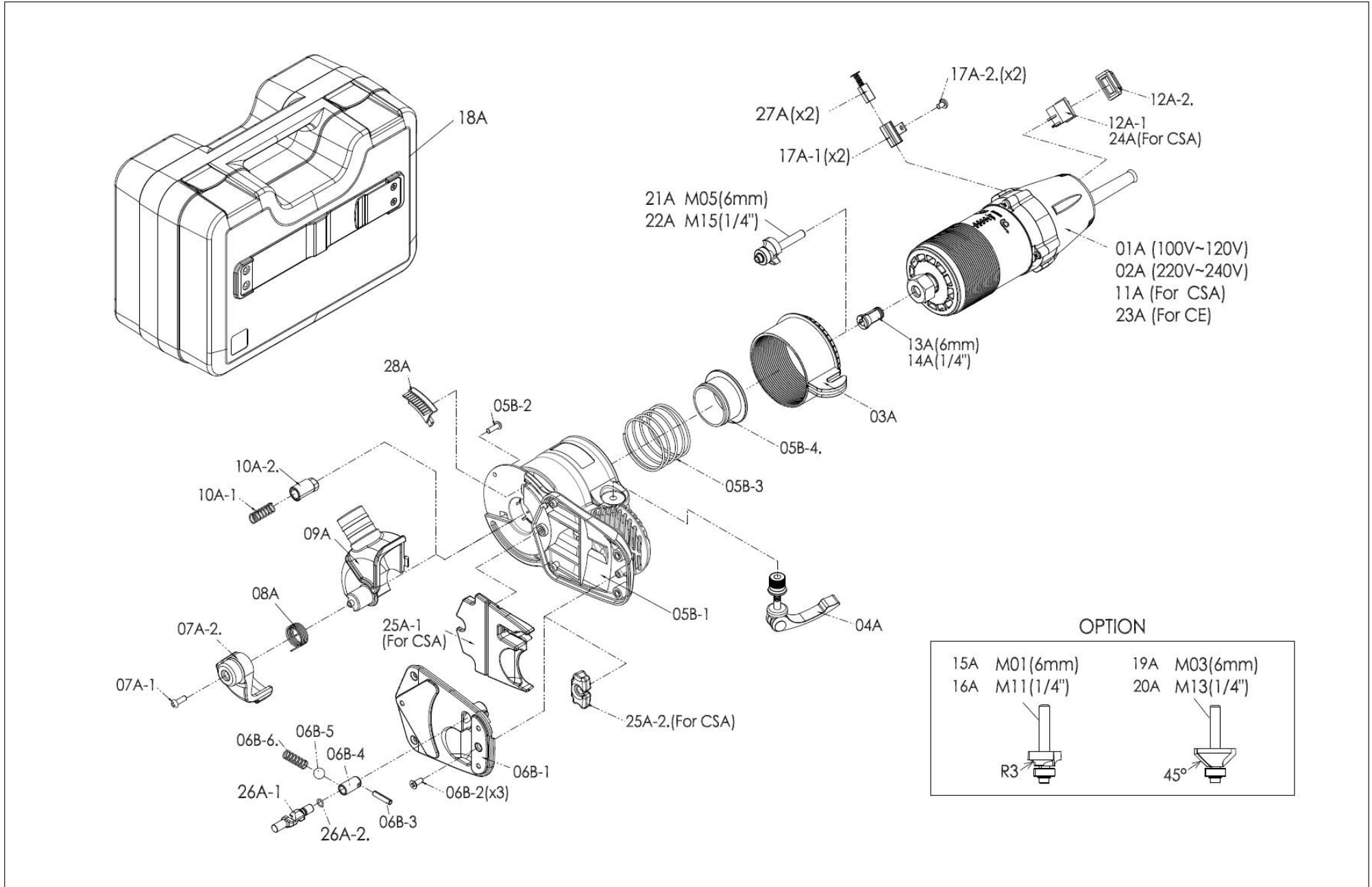


# 10. EXPLODED VIEW



## 11. PARTS LIST

Part No.	Code No.	Description	Q'ty	Part No.	Code No.	Description	Q'ty
01A	L141121A-138	MOTOR(100V-120V)	1	12A	12A	SWITCH SET	1
02A	L142221A-512	MOTOR(200V-240V)	1	12A-1	J110005	SWITCH	1
03A	U010186	SCALE PANEL	1	12A-2.	J510004	SWITCH COVER	1
04A	C050009	QUICK RELEASE-M6x48	1	13A	G630001	M00 (COLLECT TYPE)-6mm	1
05B	05B	MAIN BODY SET	1	14A	G630002	M10 (COLLECT TYPE)-1/4"	1
05B-1	U010181	MAIN BODY	1	15A	G600002	M01 (R ROUTER BIT) -6mm	1
05B-2.	S050412	SELF TAPPING SCREW	1	16A	G600004	M11 (R ROUTER BIT)-1/4"	1
05B-3	N930037	COMPRESSION SPRINGS	1	17A	17A	CARBON BRUSH SET	1
05B-4.	C060003	DUST TUBE	1	17A-1	J530005	CARBON BRUSH SEAT	2
06B	06B	BASE PLATE SET	1	17A-2.	S050408	TAP SCREW	2
06B-1	U010184	BASE PLATE	1	18A	U010221A	TOOL BOX	1
06B-2	S400410-001	FLAT HEAD SCREW M 4 X 10 L	3	19A	G600005	M03 (45° CHAMFERNG ROUTER)-6mm	1
06B-3	N810420	SPRING 4 X 20 L	1	20A	G600006	M13 (45° CHAMFERING ROUTER) -1/4"	1
06B-4	C600002	CASING COLLAR	1	21A	G600007	M05 (R2 CHAMFERING ROUTER) -6mm	1
06B-5	R095107	BALL BEARING	1	22A	G600008	M15 (CHAMFERING) -1/4"	1
06B-6.	N930007	LOCATING SPRING	1	23A	L142221A-139	MOTOR	1
07A	07A	SAFETY COVER SET	1	24A	J110007	SWITCH CSA	1
07A-1	S500412	SELF TAPPING SCREW	1	25A	25A	LEAD SET	1
07A-2.	U010182	SAFETY COVER	1	25A-1	C600001	LEAD	1
08A	N910010	SPRIAL SPRING	1	25A-2	C600002	BACK LEAD	1
09A	U010183	VACUUM COVER	1	26A	26A	ROUTER BIT SET	1
10A	10A	ROLLING STOPPER PIN SET	1	26A-1	A600008	ROUTER BIT	1
10A-1	N930035	SPRING	1	26A-2	Q010007	O -RING	1
10A-2.	U010185	ROLING STOPPER PIN	1	27A	J480002	CARBON BRUSH	2
11A	L141121A-131	MOTOR-CSA	1	28A	U010244	BRUSH	1